



**SCHOTT**  
glass made of ideas

**KIMAX<sup>®</sup> Laboratory  
Glass Pipe Accessories  
& Koch Knight-Ware<sup>®</sup>**

Price Book  
February 2021



# Drainline Pipe and Fittings

## Straight lengths – 5' & 10' Lengths Pipe 6500 5-ft. lengths



Article	Size	Price (\$)
6500 - 1500	1½" x 5'	73.54
- 2000	2" x 5'	98.71
- 3000	3" x 5'	133.01
- 4000	4" x 5'	243.28
- 6000	6" x 5'	427.69

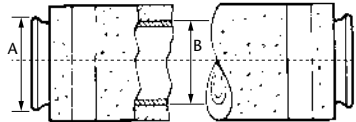
Article	Size	Price (\$)
6501 - 1500	1½" x 10'	136.96
- 2000	2" x 10'	186.16
- 3000	3" x 10'	255.56
- 4000	4" x 10'	464.97
- 6000	6" x 10'	833.71

## HW 7035-P EPS\*\* Covers

5-ft. length = 4 pieces

(for underground use)

\*\*Expanded Polystyrene



Article	Size	Price (\$)
HW7035-P - 1500	1½" x 5'	7.84
- 2000	2" x 5'	6.83
- 3000	3" x 5'	7.27
- 4000	4" x 5'	8.53
- 6000	6" x 5'	13.98

## 6511 Sweeps



Article	Size	Price (\$)
6511 - 1590	1½" - 90°	39.13
- 2090	2" - 90°	49.51
- 3090	3" - 90°	81.53
- 4090	4" - 90°	130.29
- 6090	6" - 90°	396.74

6511 - 1560	1½" - 60°	39.13
- 2060	2" - 60°	49.51
- 3060*	3" - 60°	81.53
- 4060*	4" - 60°	130.29
- 6060*	6" - 60°	396.74

6511 - 1545	1½" - 45°	39.13
- 2045	2" - 45°	49.51
- 3045	3" - 45°	81.53
- 4045	4" - 45°	130.29
- 6045	6" - 45°	396.74

6511 - 1522	1½" - 22½°	39.13
- 2022*	2" - 22½°	49.51
- 3022*	3" - 22½°	81.53
- 4022*	4" - 22½°	130.29
- 6022*	6" - 22½°	396.74

# Drainline Pipe and Fittings

## 6513 Bends



Article	Size	Price (\$)
6513 - 1590	1½" - 90°	40.48
-2090	2" - 90°	51.05
-3090	3" - 90°	83.87
-4090	4" - 90°	130.29

6513 - 1560	1½" - 60°	40.48
-2060	2" - 60°	51.05
-3060*	3" - 60°	83.87
-4060*	4" - 60°	130.29

6513 - 1545	1½" - 45°	40.48
-2045	2" - 45°	51.05
-3045	3" - 45°	83.87
-4045	4" - 45°	130.29
-6045	6" - 45°	360.64

6513 - 1522	1½" - 22 ½°	40.48
-2022	2" - 22 ½°	51.05
-3022*	3" - 22 ½°	83.87
-4022*	4" - 22 ½°	130.29



## 6521 Single Sanitary T

Article	Size	Price (\$)
6521 - 1515	1½" x 1½"	63.23
-2015	2" x 1½"	63.23
-2020	2" x 2"	63.23
-3015	3" x 1½"	83.44
-3020	3" x 2"	92.16
-3030	3" x 3"	94.37
-4015	4" x 1½"	126.27
-4020	4" x 2"	136.53
-4030	4" x 3"	145.85
-4040	4" x 4"	169.10
-6020*	6" x 2"	318.18
-6030*	6" x 3"	350.93
-6040*	6" x 4"	353.23
-6060	6" x 6"	453.03

## 6522 Double Sanitary T



Article	Size	Price (\$)
6522 - 1515	1½" x 1½"	94.37
-2015	2" x 1½"	94.37
-2020	2" x 2"	94.37
-3015*	3" x 1½"	121.70
-3020	3" x 2"	132.81
-3030	3" x 3"	141.79
-4015*	4" x 1½"	219.97
-4020*	4" x 2"	223.61
-4030*	4" x 3"	243.09
-4040*	4" x 4"	273.19
-6020*	6" x 2"	333.09
-6030*	6" x 3"	384.43
-6040*	6" x 4"	438.67
-6060*	6" x 6"	556.68

## 6523 Straight T



Article	Size	Price (\$)
6523 - 1515	1½" x 1½"	78.24
-2015	2" x 1½"	78.24
-2020	2" x 2"	78.24
-3015	3" x 1½"	98.89
-3020	3" x 2"	101.17
-3030	3" x 3"	112.98
-4015*	4" x 1½"	129.37
-4020	4" x 2"	135.11
-4030*	4" x 3"	181.14
-4040	4" x 4"	198.53
-6030*	6" x 3"	415.70
-6040*	6" x 4"	428.26
-6060*	6" x 6"	488.26

\* Subject to stock availability / manufactured per order, not returnable

# Drainline Pipe and Fittings

## 6524 Test T with Cleanout



Article	Size	Price (\$)
6524 - 1515	1½" x 1½"	104.83
-2020	2" x 2"	121.87
-3030	3" x 3"	167.98
-4040	4" x 4"	323.87

Test Tee and cleanout comes as complete assembly including cap and coupling.

## 6526 Single Drainline Y



Article	Size	Price (\$)
6526 - 1515	1½" x 1½"	66.57
-2015	2" x 1½"	66.57
-2020*	2" x 2"	66.57
-3015	3" x 1½"	90.11
-3020*	3" x 2"	92.77
-3030*	3" x 3"	106.86
-4015*	4" x 1½"	139.12
-4020	4" x 2"	140.30
-4030	4" x 3"	158.48
-4040	4" x 4"	177.77
-6020*	6" x 3"	304.34
-6030*	6" x 2"	371.01
-6040*	6" x 4"	405.20
-6060*	6" x 6"	453.16

## 6527\* Double Drainline Y



Article	Size	Price (\$)
6527 - 1515*	1½" x 1½"	129.23
-2015*	2" x 1½"	129.23
-2020*	2" x 2"	129.23
-3015*	3" x 1½"	129.23
-3020*	3" x 2"	164.59
-3030*	3" x 3"	192.53
-4015*	4" x 1½"	210.63
-4020*	4" x 2"	226.34
-4030*	4" x 3"	281.78
-4040*	4" x 4"	324.41
-6020*	6" x 2"	488.82
-6030*	6" x 3"	514.47
-6040*	6" x 4"	541.91
-6060*	6" x 6"	990.32

## 6528 Single Combination Y and 1/8 Bend



Article	Size	Price (\$)
6528 - 1515	1½" x 1½"	84.36
-2015	2" x 1½"	84.36
-2020	2" x 2"	84.36
-3015	3" x 1½"	92.77
-3020*	3" x 2"	115.52
-3030*	3" x 3"	117.62
-4015	4" x 1½"	132.52
-4020	4" x 2"	141.79
-4030	4" x 3"	160.27
-4040	4" x 4"	189.20
-6020*	6" x 2"	305.28
-6030*	6" x 3"	361.68
-6040*	6" x 4"	362.31
-6060*	6" x 6"	427.89

\* Subject to stock availability / manufactured per order, not returnable

## Drainline Pipe and Fittings

### 6529

#### Double Combination Y and 1/8 Bend



Article	Size	Price (\$)
6529 - 1515	1½" x 1½"	113.10
- 2015	2" x 1½"	115.83
- 2020	2" x 2"	142.84
- 3015 *	3" x 1½"	167.55
- 3020 *	3" x 2"	160.87
- 3030 *	3" x 3"	212.98
- 4015 *	4" x 1½"	236.85
- 4020 *	4" x 2"	230.72
- 4030 *	4" x 3"	267.38
- 4040 *	4" x 4"	371.82
- 6020 *	6" x 2"	419.84
- 6030 *	6" x 3"	450.69
- 6040 *	6" x 4"	534.37
- 6060 *	6" x 6"	725.42

### 6531\*

#### Partition Cross (Compact)\*\*



Article	Size	Price (\$)
6531 - 2015 *	2" x 1½"	137.26
- 2020 *	2" x 2"	137.26
- 2151 *	2" x 1½" x 1½" x 1½"	157.23

\*\* Partition crosses are designed to prevent cross-flow when sinks are connected back to back.

### 6536

#### Straight Reducers or Increasers



Article	Size	Price (\$)
6536 - 2015	2" x 1½"	34.19
- 3015	3" x 1½"	51.16
- 3020	3" x 2"	57.11
- 4015 *	4" x 1½"	79.72
- 4020	4" x 2"	84.49
- 4030	4" x 3"	91.36
- 6015 *	6" x 1½"	231.41
- 6020 *	6" x 2"	246.05
- 6030	6" x 3"	262.99
- 6040	6" x 4"	270.34

### 6544

#### Cleanout Plug



Article	Size	Price (\$)
6544 - 1500	1½"	16.38
- 2000	2"	20.64
- 3000	3"	29.55
- 4000	4"	53.26
- 6000	6"	77.07

### 6550

#### U Bend (vent loop)



Article	Size	Price (\$)
6550 - 1500	1½"	69.09
- 2000	2"	86.28
- 3000	3"	175.23
- 4000 *	4"	242.78

# Drainline Couplings

## 6650 Drainline Coupling (Bead to Bead)



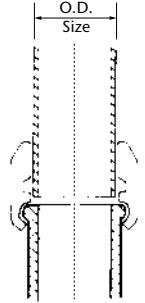
No. 6650 Drainline Couplings is used for joining 1½", 2", 3", 4", and 6" KIMAX Glass Drainline pipe and fittings. Patented

Article	Size	Price (\$)
6650 -1500	1½"	31.43
-2000	2"	39.55
-3000	3"	53.24
-4000	4"	91.72
-6000	6"	215.72

## 6665 Adapter Coupling

Used to join 1½" beaded KIMAX drainline pipe to 1¼" or 1½" O.D. tubing.

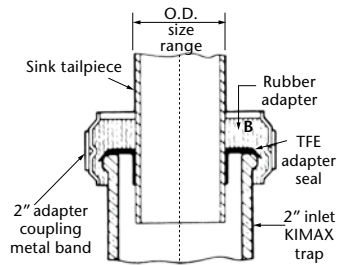
Note: Rubber seal only – not recommended where acids will come in contact with the coupling seal.



Article	Size	Price (\$)
6665 -1512 *	1½" x 1¼"	43.96
-1515	1½" x 1½"	43.96

## 6655 Adapter Coupling

No. 6655 Adapter Couplings is used to join KIMAX drainline pipe and/or fittings to plain end sink tailpieces. Patented Pending



Article	Size	Price (\$)
6655 -2015	2" x 1½"	51.31
-2017	2" x 1¾"	51.31
-2018	2" x 1⅞"	51.31

## 6661 B/P Drainline Coupling (Bead to Plain End)



No. 6661 B/P Drainline Coupling is used for joining 1½", 2", 3", 4", and 6" KIMAX beaded glass drainline to plain end (cut) glass pipe, lead, I.P.S. metal, or plastic pipe.

Article	Size	Price (\$)
6661 -1500	1½"	40.36
-2000	2"	50.32
-3000	3"	85.48
-4000	4"	127.54
-6000	6"	451.96

## Drainline Traps\*\*

\*\* Expanded inlets of traps have 4" minimum depths to permit adjustment.

### 6700 Swivel Trap – P Style

No. 6700 (short outlet) Swivel "P"



Article	Size	Price (\$)
6700 - 1515	1½" x 1½"	120.71
-2015	2" x 1½"	132.20
-2020	2" x 2"	156.12

### 6706 Swivel Trap – S Style

No. 6706 Swivel "S" Trap



Article	Size	Price (\$)
6706 - 1515	1½" x 1½"	139.87
-2015	2" x 1½"	151.31
-2020	2" x 2"	182.89

### 6701 Swivel Trap – P Style

No. 6701 (long outlet) Swivel "P" Trap



Article	Size	Price (\$)
6701 - 1515	1½" x 1½"	136.34
-2015	2" x 1½"	152.22
-2020	2" x 2"	178.87

### 6707 Drum Trap – P Style



Article	Size	Price (\$)
6707 - 1515*	1½" x 1½"	194.88
-2015*	2" x 1½"	261.44
-2020*	2" x 2"	270.28

### 6704 Swivel Trap – P Style (Plain End Outlet)

No. 6704 (plain end outlet) Swivel "P" Trap  
Plain end outlet can be field cut



Article	Size	Price (\$)
6704 - 1515	1½" x 1½"	140.48
-2015	2" x 1½"	152.22
-2020	2" x 2"	178.87

### 6708 Interceptor Trap

A: Adapter Coupling  
No. 6665-1512 (to connect  
to 1¼" O.D. tubing)

B: Perforated S.S. Screen 1/16"  
dia. holes 6 sq. in. free area opp.

C: Removable coupling/end cap for cleanout.

D: Min. 3" clearance required under trap for removal of end cap.



Article	Size	Price (\$)
<b>Interceptor Trap</b>		
6708 - 4015	1½" x 1½"	457.36



## Drainline Traps\*\*

\*\* Expanded inlets of traps have 4" minimum depths to permit adjustment.

### 6710

#### Swivel Drum Trap – P Style

No. 6710 Swivel Drum Trap "P"



Article	Size	Price (\$)
6710 -1515	1½" x 1½"	215.15
-2015	2" x 1½"	230.55
-2020*	2" x 2"	267.38

### 6718

#### Trap – P Style

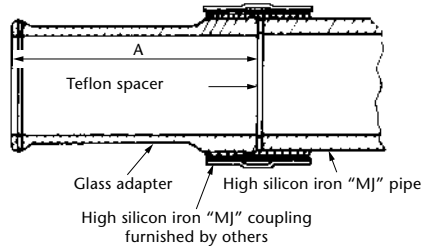
Has expanded inlet. Use No. 6655 adapter coupling for inlet joint.



Article	Size	Price (\$)
6718 -1515	1½" x 1½"	88.75
-2015*	2" x 1½"	95.98
-2020	2" x 2"	116.26
-3030	3" x 3"	238.46
-4040	4" x 4"	356.81
-6060*	6" x 6"	1,367.39

# Adapters & Accessories

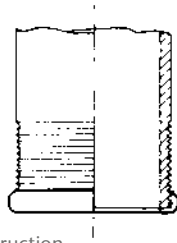
## 6566 "MJ" Pipe Adapter



Article	Size	Price (\$)
6566 - 1500	1½"	79.60
- 2000	2"	82.75
- 3000	3"	131.77
- 4000	4"	196.18

## 6680 Thread Adapters (Threaded to Beaded Pipe)

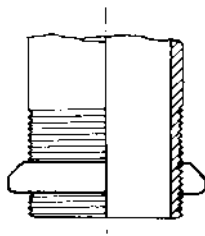
Thread Adapters are used to provide beaded end on threaded pipe for connecting directly to KIMAX glass drainlines with No. 6650 coupling. All TFE construction. Adapter No. 6680 will fit standard straight or tapered threads. Used for same size pipe (e.g. 1½" metal to 1½" glass) ideal for floor drain connections. In 1½", 2", 3", and 4" sizes.



Article	Size	Price (\$)
6680 - 1500	1½"	39.13
- 2000	2"	48.84
- 3000	3"	68.72
- 4000	4"	117.01

## 6685 Adjustable Thread Adapter

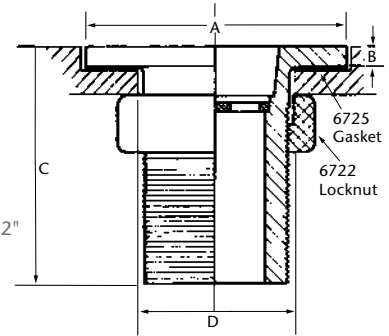
Adapter No. 6685 is designed to mate 1½" threaded tailpieces to 2" expanded inlets of KIMAX traps. Can be moved up and down on tailpiece for space adjustments. In 2" x 1½" size only



Article	Size	Price (\$)
6685 - 2015	2" x 1½"	56.24

## 6720 Sink Outlet Assembly (1½" Size)

Consists of:  
 6724 sink strainer (black fluorocarbon plastic) 1½" or 2"  
 6721 and 6721D sink outlet (black fluorocarbon plastic)  
 6725 gasket-neoprene  
 6722 locknut



Note: Hand tighten 6722 locknut to sink. DO NOT USE PIPE WRENCH. To fill gap in sink counterbore, use 3M-EC-612 caulking compound or equivalent. 1½" and 2" size sink outlets are designed to accept standard overflows.

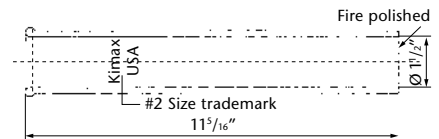
Article	Size	Price (\$)
6720 - 1500	1½"	253.95

## 6724 Sink Strainer (All Cup Sinks)

Article	Size	Price (\$)
6724 - 1500	1½"	16.82
- 2000	2"	20.00

## 6500 S 264 Tailpiece

Connection to the sink strainer assembly is accomplished using a 6661-1500 Bead x Plain End coupling. Tail Piece can be cut to desired length using the standard KIMAX® glass cutter.



Article	Size	Price (\$)
6500 S 264	11 5/16" x 1½"	19.96

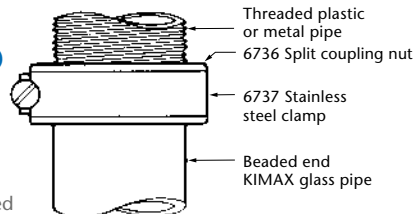
\* Subject to stock availability / manufactured per order, not returnable

## Adapters & Accessories

### 6735 1½" Split Coupling (Threaded to Beaded Pipe)

No. 6735, 1½" Split Coupling is used to join 1½" beaded glass pipe to a threaded 1½" I.P.S. pipe.

To install ... remove clamp from split nut. Place split nut over beaded glass end. Replace clamp and tighten with screw driver.

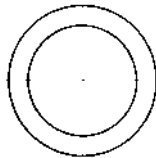


Use gasket No. 6739 when connecting KIMAX glass pipe to threaded metal pipe, using No. 6735 split coupling.

Article	Size	Price (\$)
6735 -1500	1½"	37.70

### 6739 Gasket

Use gasket No. 6739 when connecting KIMAX glass pipe to threaded metal pipe, using No. 6735 split coupling.



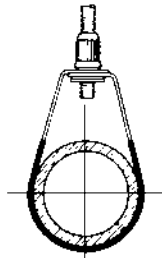
Article	Size	Price (\$)
6739 -1500	1½"	13.48

### 7290 (1½", 2", 3", 4", 6" sizes) Pipe Hangers (padded)

Recommended for horizontal runs.

Hangers contain integral cushions.

Standard finish on band is A.S.T.M. type L.S. zinc coating.



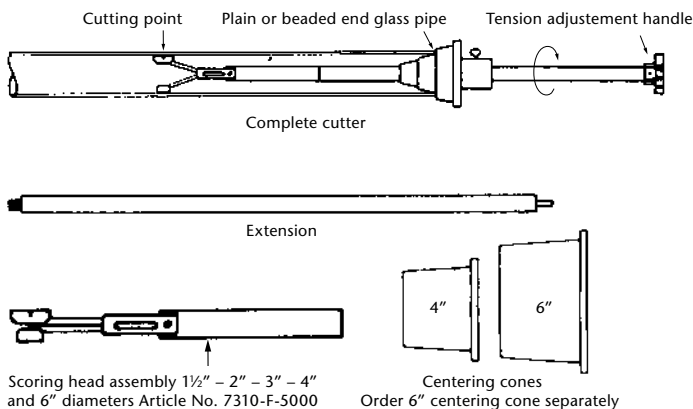
Article	Size	Price (\$)
7290 -1500	1½"	8.55
-2000	2"	9.80
-3000	3"	16.46
-4000	4"	27.54
-6000	6"	55.89

## Cutter & Spare Parts

<b>1. PORTABLE CUTTER FOR 1½", 2", 3", 4", and 6" KIMAX® GLASS PIPE</b> Article No. 7310-56802 A cone for cutting 6" pipe must be ordered separately.	<b>Net Price \$</b> 1,574.25
<b>2. SIX (6") INCH PIPE CENTERING CONE</b> Article No. 7310-J-4179	<b>Net Price \$</b> 177.95
<b>3. SCORING HEAD SUB-ASSEMBLY FOR 7310-56802 CUTTER</b> Article No. 7310-F-5000	<b>Net Price \$</b> 878.41
<b>4. REPLACEMENT CUTTER/ROLLER ASSEMBLY</b> Article No. 7310-F-4122 Includes the housing with two roller guides and a cutter wheel mounted in place. Sold as assembly only.	<b>Net Price \$</b> 87.70
<b>5. REPLACEMENT ROLLER ASSEMBLY</b> Article No. 7310-F-6000 Includes the housing with two roller guides mounted in place. Sold as assembly only.	<b>Net Price \$</b> 74.75
<b>6. TAIL PIECE CUTTER</b> Article No. 7310-1079	<b>Net Price \$</b> 110.89
<b>7. THIRTY (30") INCH EXTENSION ROD</b> Article No. 1083440	<b>Net Price \$</b> 296.28

Prices are F.C.A. warehouse, Wilkes-Barre, PA 18702 and are subject to change without prior notice.

### 7310-56802 KIMAX® Portable Glass Pipe Cutter 1½" – 6"



With the KIMAX Portable Glass Pipe Cutter you can cut 1½" – 6" glass drainline pipe anywhere on the job site. Complete cutter consists of a scoring head assembly, extension, tension arm subassembly and 1½" – 4" centering cones and ring stop as shown. Order 6" centering cone separately.

# Koch Knight-Ware® Neutralizing Sumps

## Chemical Stoneware Acid Waste Neutralizing Sumps – [Please Call for Availability](#)

MODEL	PART #	IN / OUT / VENT	TOTAL WEIGHT	FILL (LBS)	PRICE (\$)
401B 12 x 12	1088087	2/2/00	135	50	2,016.00
401BT 12 x 12	1088092	2/2/00	135	50	2,096.00
401B 18 x 24	1088089 1088181	4/4/03	500 150	200	4,166.00 2,800.00
401B 24 x 36	1088090 1088182	4/4/03	1200 400	600	6,902.00 3,200.00
400C 30 x 57	1088084 1088183	4/4/04	2900 400	1700	13,928.00 3,200.00

## Steel Shell Brick Lined Acid Waste Neutralizing Sumps – [Please Call to Request Quote](#)

MODEL / PART #	OD x HT	BAGS / FILL	SUMP WEIGHT	TOTAL WEIGHT	PRICE (\$)
SUMP 506	40 x 81	54	3100	5800	POA*
SUMP 508	46 x 81	72	3500	7100	POA*
SUMP 510	48 x 87	90	3900	8400	POA*
SUMP 515	54 x 99	140	5200	12200	POA*
SUMP 520	60 x 99	180	5900	14900	POA*
SUMP 530	72 x 99	270	7400	20900	POA*
SUMP 540	82 x 102	360	9100	27100	POA*
SUMP 550	90 x 102	460	10600	33600	POA*
SUMP 560	96 x 107	540	11900	38900	POA*
SUMP 570	102 x 108	640	12700	44700	POA*
SUMP 580	108 x 109	720	14200	50200	POA*
SUMP 590	114 x 111	800	15400	55400	POA*
SUMP 600	114 x 119	900	17600	62600	POA*

Prices are F.C.A., East Canton, OH 44730 and are subject to change without prior notice.

\*POA – Priced on Application

# Koch Knight-Ware® Neutralizing Sumps

## Limestone Media Fill

NEUTRALIZING FILL – 50 LB. BAGS.	PART #	PRICE (\$)
Minimum order is 10 Bags	1088124	78.23/Bag
11–25 Bags	1088124	69.93/Bag
26–50 Bags	1088124	59.26/Bag
51–75 Bags	1088124	41.49/Bag
76+ Bags	1088124	30.82/Bag

Items not listed are packed in quantity ordered. Distributed by:

"Specifications, dimensions and tolerances of all components – pipe, fittings and couplings – as illustrated in this publication, are engineered for safety and product performance reasons as a total SCHOTT Acid Waste Drainline System. Interchanging these SCHOTT components with similar products manufactured by others, in acid waste drainline systems voids all SCHOTT warranties of product performance and integrity with respect to such components."

SCHOTT North America, Inc. reserves the right to modify or delete at any time, products as illustrated and described in the publication.

The information contained in this brochure is believed to be accurate and is offered in good faith by SCHOTT North America, Inc. However, suitability of our products for a given field application is the responsibility of the buyer and SCHOTT North America, Inc. accepts no liability for the appropriateness or adequacy of its products or information for any specific installation. Orders are subject exclusively to our standard terms and conditions of sale. Prices are F.C.A. warehouse, Wilkes-Barre, PA 18702 and are subject to change without notice.



**SCHOTT North America, Inc.**  
2 International Drive, Suite 105  
Rye Brook, NY 10573  
USA  
Phone (914) 831-2200  
[info.tubing@us.schott.com](mailto:info.tubing@us.schott.com)  
[www.schott.com](http://www.schott.com)