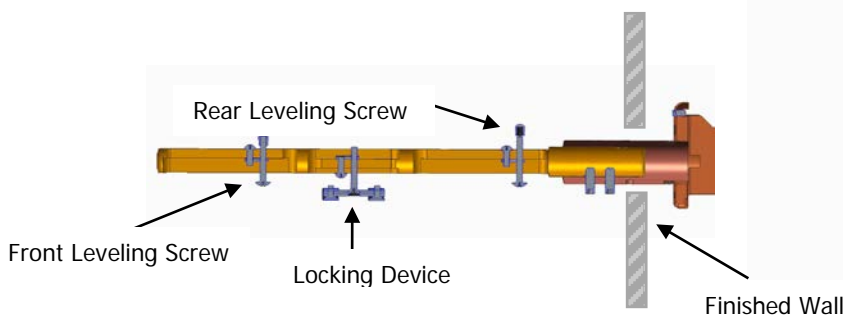
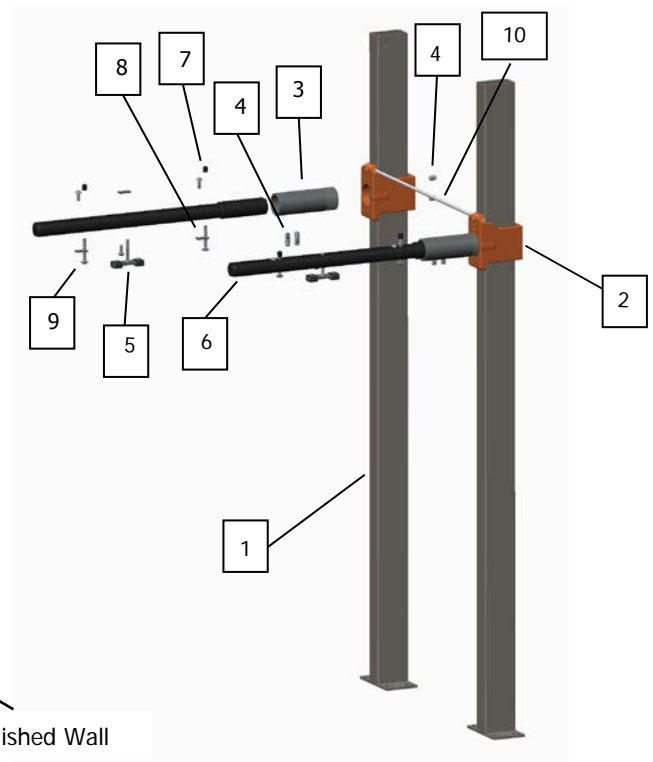




## CONCEALED ARM LAVATORY CARRIERS INSTALLATION INSTRUCTIONS

PART	QTY	DESCRIPTION
1	2	Upright w/ welded feet
2	2	Header Coupling
3	2	Sleeve
4	8	3/8 Socket Set Screw
5	2	Locking Device
6	2	Arm
7	4	Rubber Cap
8	2	Rear Leveling Screw
9	2	Front Leveling Screw
10	1	Truss Rod



### INSTALLATION INSTRUCTIONS FOR LC5000

1. Slide adjustable header couplings over rectangular uprights with the large diameter threaded tappings facing the front. Hand tighten the set screws on the rear face of the header.
2. Insert the truss rod between the header couplings and secure into place.
3. Space the uprights accordingly to the fixture manufacturer's rough in dimensions. Place uprights in correct position and anchor to floor using 1/2" bolts (supplied by others). Two diagonally placed bolts are recommended for proper installation.
4. Verify header coupling elevation and width and then tighten all set screws.
5. Screw threaded sleeve into the header coupling. Set screws should be located at the bottom. The threaded sleeve may not be fully tightened.
6. Insert concealed arm into threaded sleeve when installing fixture. Adjust overall length of arm and tighten set screws.
7. Position leveling screws and locking device. Install and level fixture and tighten locking device to secure into place.

#XSARM-ASSY SUN Drainage Concealed Arm Instruction Sheet Rev. A.10/2016  
12600 Cardinal Meadow • Sugar Land, TX 77478  
www.sundrainage.com

Note - Dimensional Data (inches and mm) are Subject to Manufacturing Tolerances and Change without Notice.